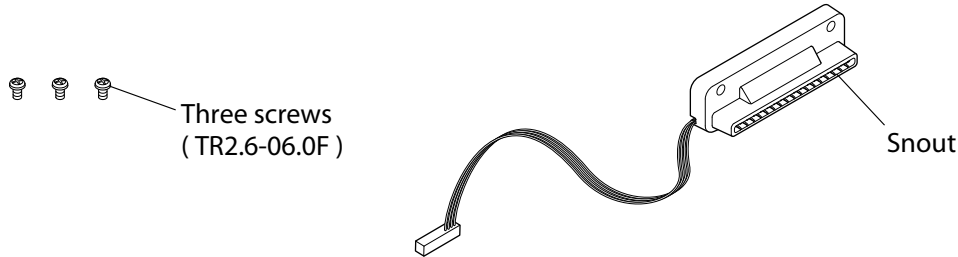


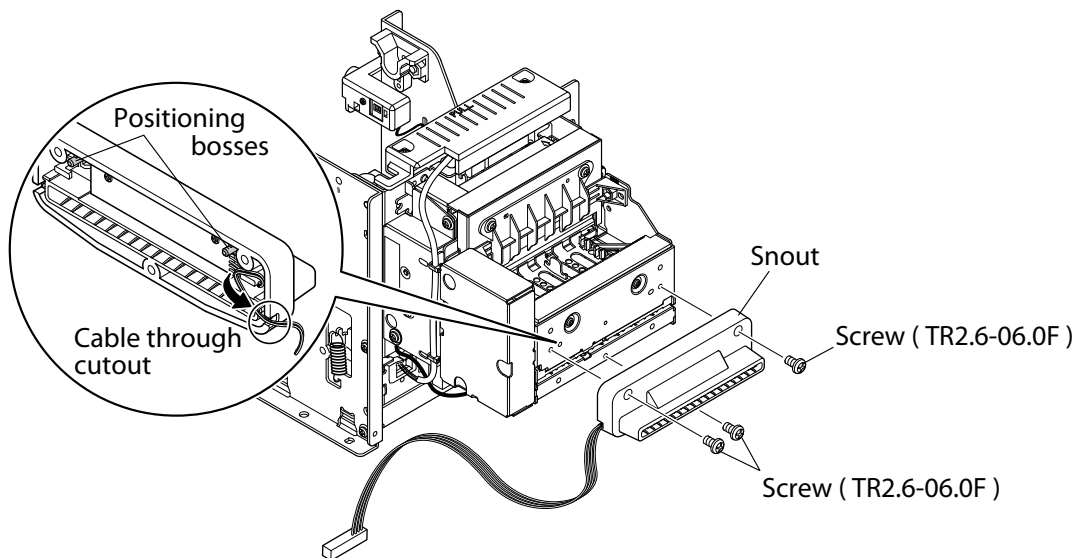
Installing the Snout

1. Open the package: Confirm that the package contains the following items.

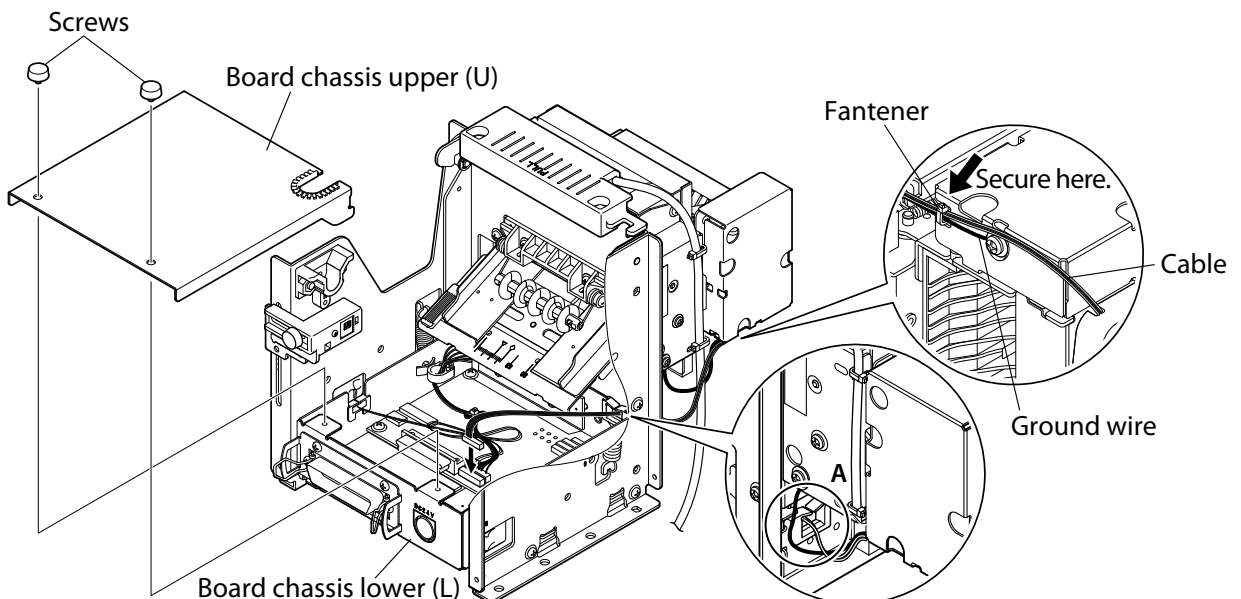


2. Install the snout:

- (1) Fit the snout onto the presenter, using the snout's positioning bosses (see drawing) to set the position, and fasten the snout in place with the three provided screws. Be sure the cable is arranged so that it passes through the cutout. Take care to avoid snagging the cable when tightening the snout.



- (2) Remove the board chassis upper (U) by unscrewing the two screws holding it in place.
- (3) Use a wiring band to secure the snout cable and the ground wire to the location indicated by the arrow in the drawing. Then pass the cable through area A in the board chassis lower (L), and connect it to the connector in the location shown below. (Wiring band is not included; please obtain separately.)



- (4) Fit the board chassis upper (U) back onto the board chassis lower (L), and fasten in place with the two screws.